

# Device Racks

Compatible with:  
Carrier 40 Cart™

Don't need the Baskets in your Carrier 40 Cart? Need to fit bigger devices? Install the device racks. This document will specify the maximum dimensions for a device that will fit in the Carrier 40 Cart with the racks.



# Follow the steps below to check your device's compatibility with the Carrier 40 Cart. 40 slot total.

1

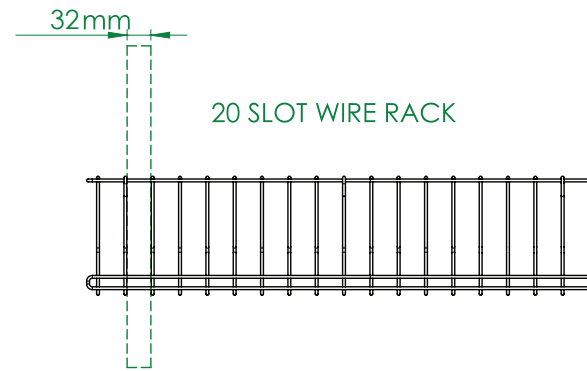
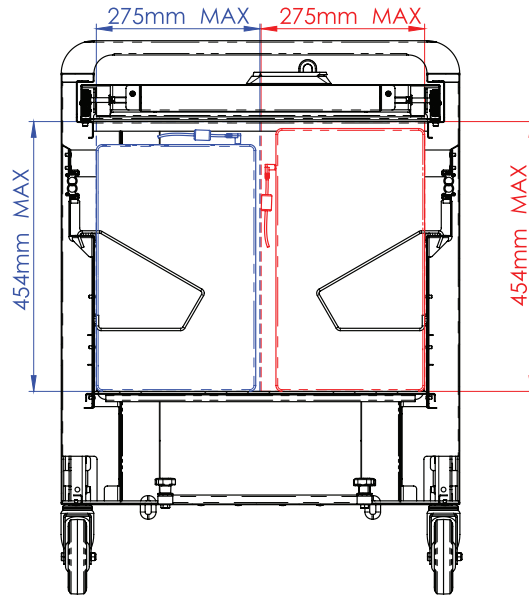
Check where the power inlet is located on your device. Is it on the side or on the rear of your device?

2

Check your device dimensions. The measurements should also consider the power outlet plugged into the device (see below).

3

If your device is smaller than the measurements shown below, your device is compatible.



CART COMPATIBILITY	DESCRIPTION	TOTAL DEVICES PER CART	MAX DIMENSIONS WITH POWER CABLE (mm):
PCL8-10108	Device rack 20 slots	40	454 x 275 x 32

# Follow the steps below to check your device's compatibility with the Carrier 40 Cart. 36 slot total.

1

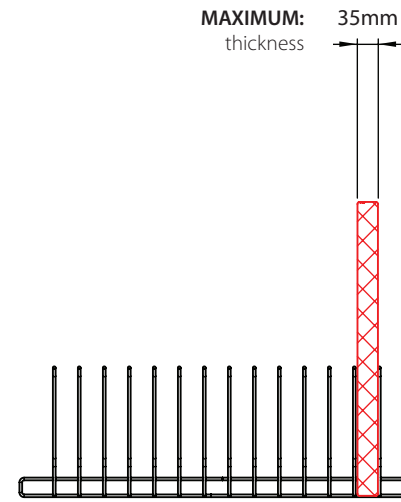
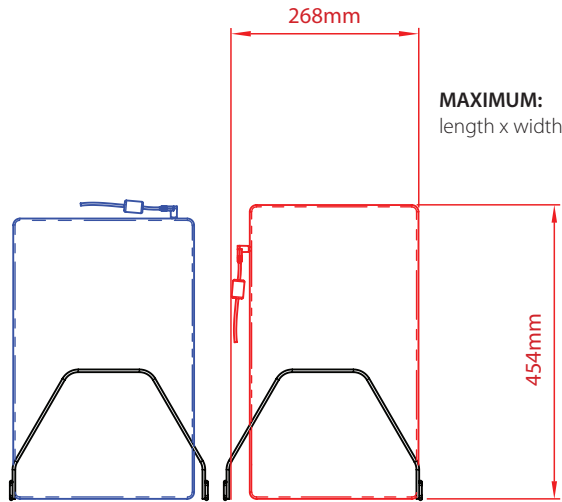
Check where the power inlet is located on your device. Is it on the side or on the rear of your device?

2

Check your device dimensions. The measurements should also consider the power outlet plugged into the device (see below).

3

If your device is smaller than the measurements shown below, your device is compatible.



CART COMPATIBILITY	DESCRIPTION	TOTAL DEVICES PER CART	MAX DIMENSIONS WITH POWER CABLE (mm):
PCL 8106	Device rack 18 slots	36	454 x 268 x 35

**STEP 1 - Check the device thickness**

Check the thickness of your device here. If the device thickness fits within the boundaries of this shape (and measurement listed), you're almost there. Go to STEP 2.

0.96 inches



Does your device fit in our Large 5-slot Basket by LocknCharge? Check it here. To ensure accurate measurements, please PRINT TO SCALE and on an LEDGER paper (portrait).



**STEP 2 - Check the device dimensions**

Place your device here. If the device fits within the boundaries of this shape (and measurements listed), proceed to STEP 3.

**STEP 3 - Check the device charging point**

Ensure that the charging point is above the dashed line. If it does, then you're good to go.

**PLEASE NOTE:**

It is your responsibility to ensure you measure your device correctly.

If you are planning to use a case with your device, ensure you have it on whilst checking the compatibility.

If the device is too thick with the case installed, but fits with STEP 2 and 3, there is one more option, and it is to remove the moulded device divider from the top of the basket. For details about this option, please contact us.

14.56 inches

5.98 inches

9.22 inches